



www.stiga.com

Illustrated Parts List

for model:

ESTATE SENATOR

- Use GLOBAL GARDEN PRODUCT genuine spare parts specified in the parts list for repair and/or replacement.
- Then contents described in the parts list may change due to improvement.
- The drawings of the spare part are only indicative and might not represent the part in question exactly.
- The indications "right" - "left" - "front" - "rear" refer to the position of the operator when using the machine.
- When placing orders of parts for repair and/or replacement, make sure that the illustrated parts list is the one applying to the machine's year of manufacture, as shown on the identification plate attached to the machine.

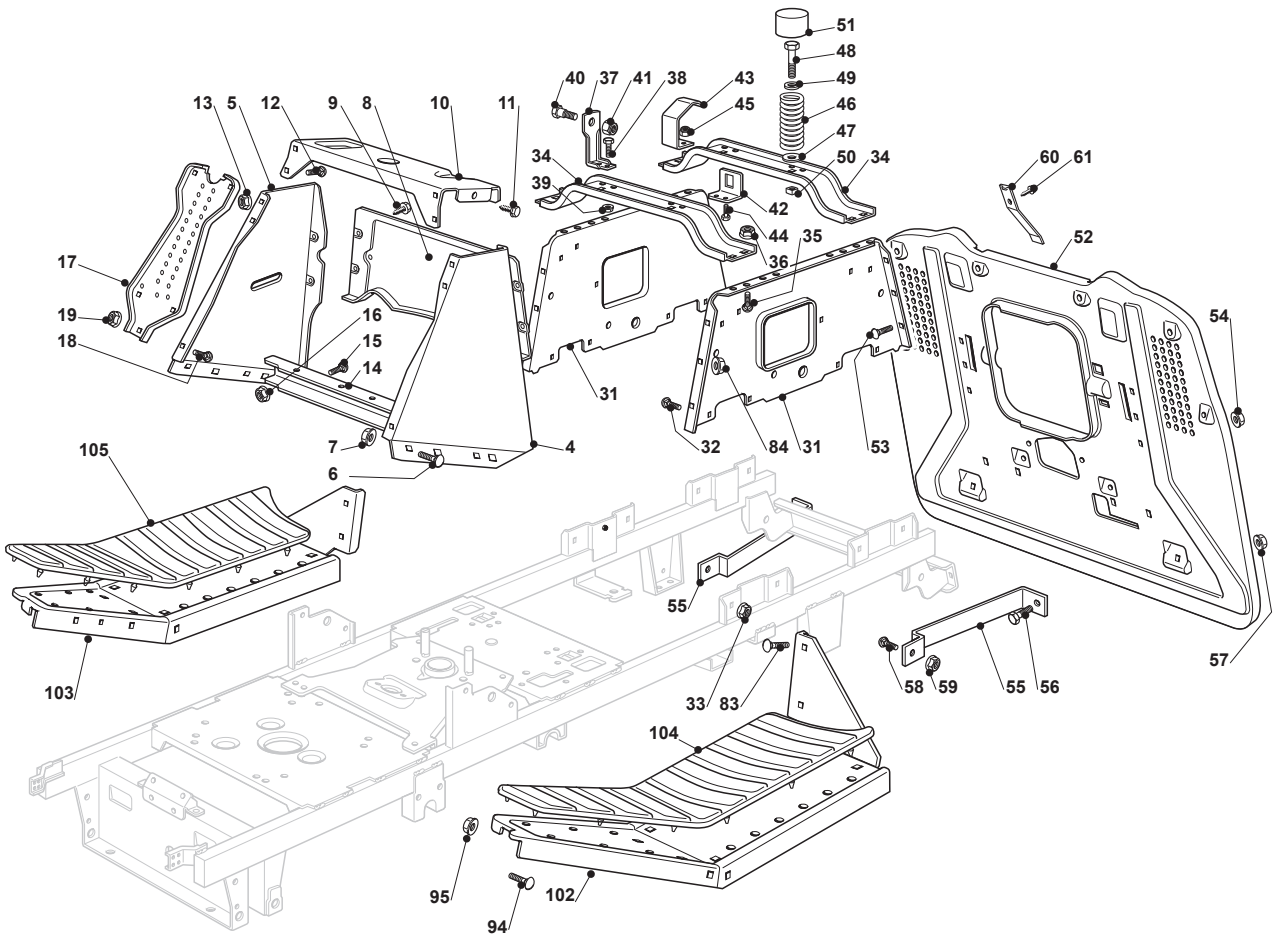
© Copyright 2013 Global Garden Products

All content is subject to copyright by Global Garden Products and may not be reproduced in whole or in part by any means, electronic or otherwise, without prior written approval.

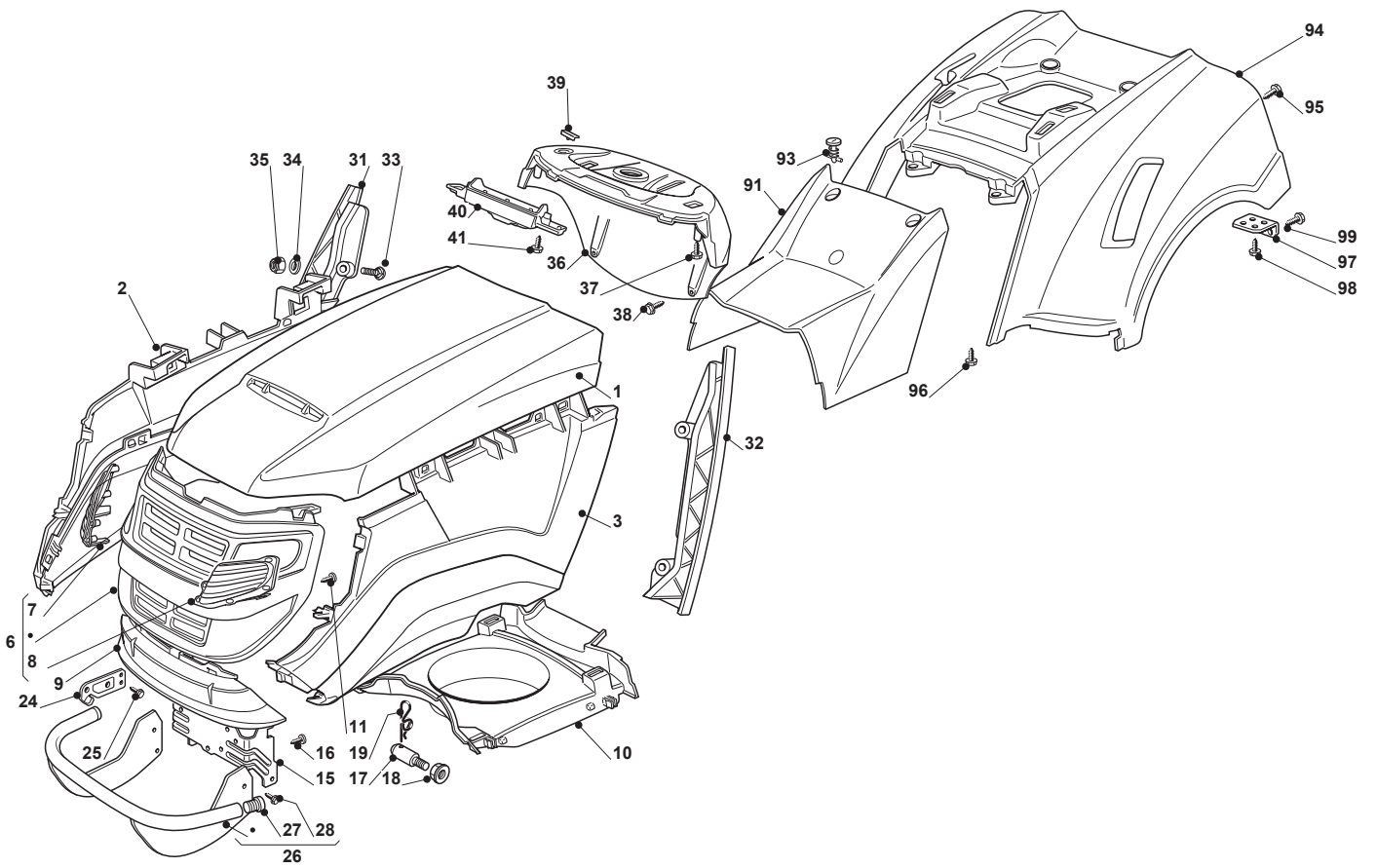
THIS INFORMATION IS NOT INTENDED FOR SALE OR RESALE, AND THIS NOTICE MUST REMAIN ON ALL COPIES.

www.ggp-group.com

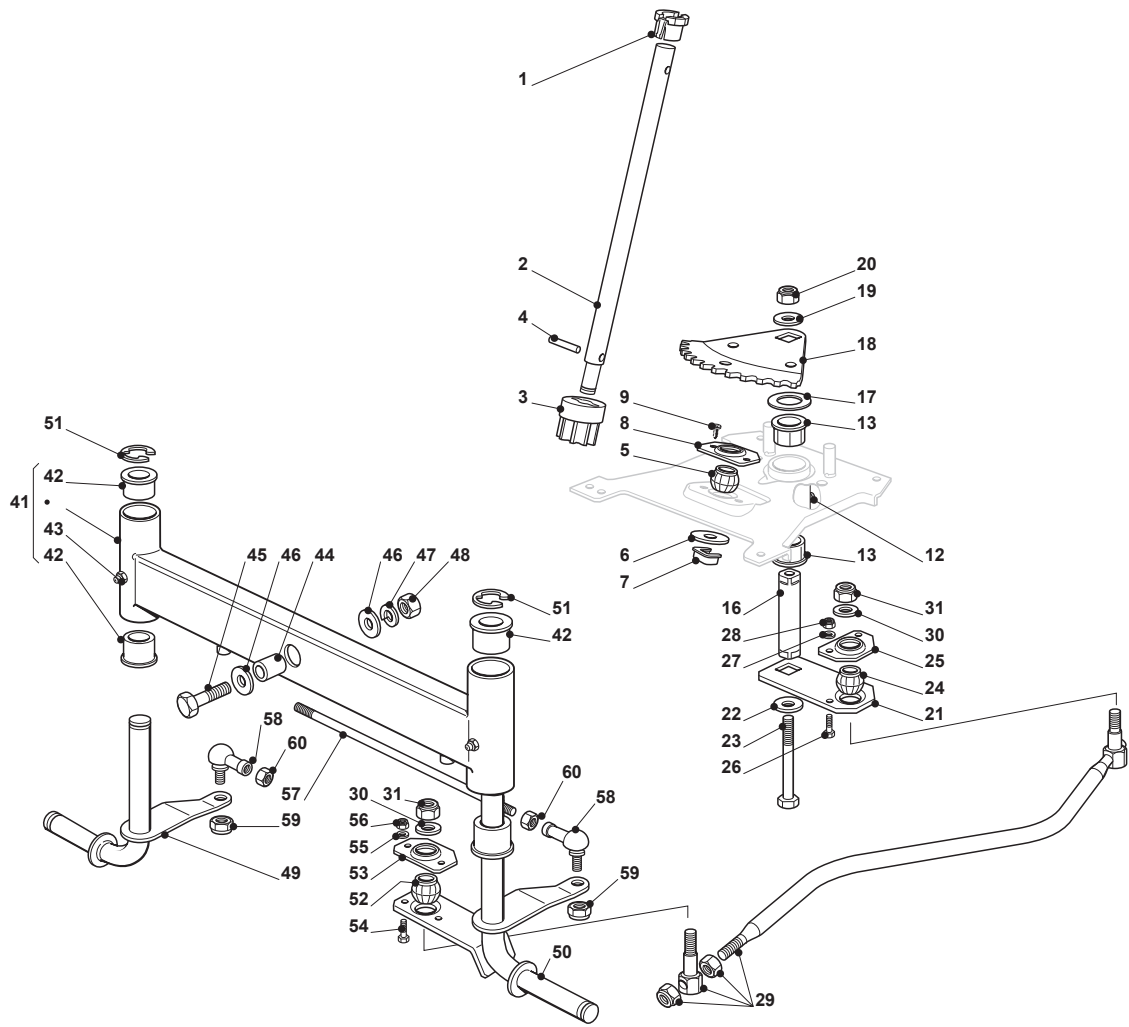




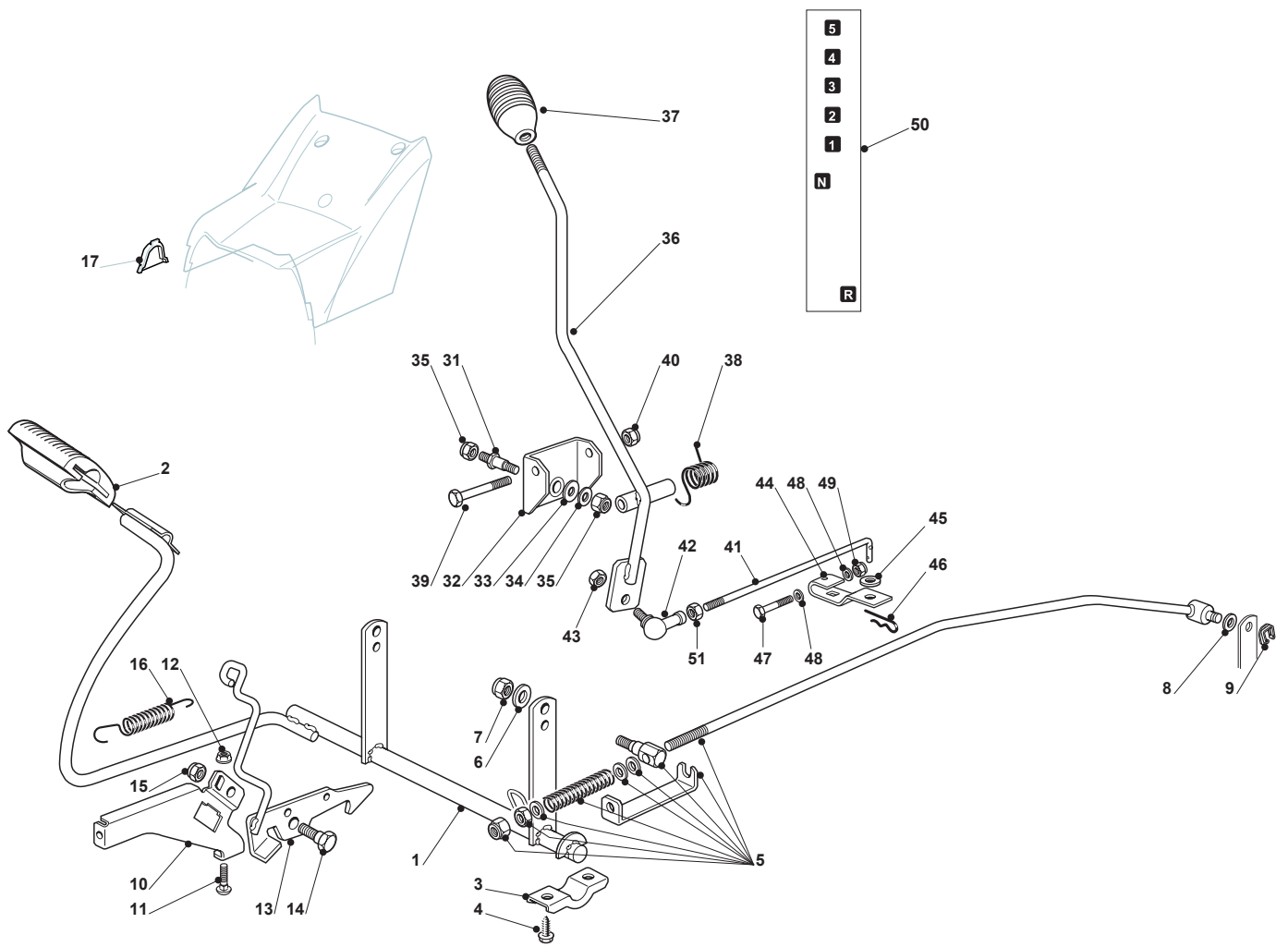
| Chassis | | | | |
|----------------|-------------|-------------|---------------------------|--------------|
| POS | CODE | Q.TY | DESCRIPTION | NOTES |
| 2 | 382774253/0 | 1 | Clamp | |
| 3 | 112735121/0 | 4 | Screw | |
| 4 | 325785243/1 | 1 | Left Dashboard Support | |
| 5 | 325785245/0 | 1 | Right Dashboard Support | |
| 6 | 112818690/0 | 4 | Screw | |
| 7 | 112293201/0 | 4 | Nut | |
| 8 | 382785151/1 | 1 | Rear Dashboard Support | |
| 9 | 112735110/0 | 4 | Screw | |
| 10 | 325785255/0 | 1 | Central Dashboard Support | |
| 11 | 112735110/0 | 2 | Screw | |
| 12 | 112815200/0 | 4 | Screw | |
| 13 | 112292102/0 | 4 | Nut | |
| 14 | 325785241/0 | 1 | Support | |
| 15 | 112815200/0 | 2 | Screw | |
| 16 | 112292102/0 | 2 | Nut | |
| 17 | 382785153/1 | 2 | Front Dashboard Support | |
| 18 | 112815200/0 | 2 | Screw | |
| 19 | 112292102/0 | 2 | Nut | |
| 31 | 325785249/0 | 2 | Seat Support | |
| 32 | 112815200/0 | 8 | Screw | |
| 33 | 112292102/0 | 8 | Nut | |
| 34 | 325785257/1 | 2 | Seat Support | |
| 35 | 112818690/0 | 8 | Screw | |
| 36 | 112293201/0 | 8 | Nut | |
| 37 | 325755039/0 | 2 | Bracket | |
| 38 | 112792611/0 | 4 | Screw | |
| 39 | 112293201/0 | 4 | Nut | |
| 40 | 122524970/2 | 2 | Fulcrum Pin | |
| 41 | 112155010/0 | 2 | Self-Locking Nut | |
| 42 | 325755043/0 | 1 | Bracket | |
| 43 | 325430253/0 | 1 | Spring | |
| 44 | 112789000/0 | 2 | Screw | |
| 45 | 112154330/0 | 2 | Low Self-Locking Nut | |
| 46 | 125430257/0 | 2 | Spring | |
| 47 | 112523070/0 | 2 | Washer | |
| 48 | 112760515/0 | 2 | Screw | |
| 49 | 122671653/0 | 2 | Washer | |
| 50 | 112360425/0 | 2 | Nut | |
| 51 | 325122000/2 | 2 | Spring | |
| 52 | 382547041/0 | 1 | Plate | |
| 53 | 112792611/0 | 6 | Screw | |
| 54 | 112293201/0 | 6 | Nut | |
| 55 | 325650119/0 | 2 | Plate Stiffening | |
| 56 | 112792611/0 | 2 | Screw | |
| 57 | 112293201/0 | 2 | Nut | |
| 58 | 112818690/0 | 2 | Screw | |
| 59 | 112293201/0 | 2 | Nut | |
| 60 | 127430554/0 | 1 | Spring | |
| 61 | 112735110/0 | 1 | Screw | |
| 83 | 112792611/0 | 4 | Screw | |
| 84 | 112293201/0 | 4 | Nut | |
| 94 | 112815200/0 | 4 | Screw | |
| 95 | 112292102/0 | 4 | Nut | |
| 102 | 382510083/0 | 1 | Left Footboard Support | |
| 103 | 382510081/0 | 1 | Right Footboard Support | |
| 104 | 325110327/0 | 1 | Left Footboard Cover | |
| 105 | 325110326/0 | 1 | Right Footboard Cover | |



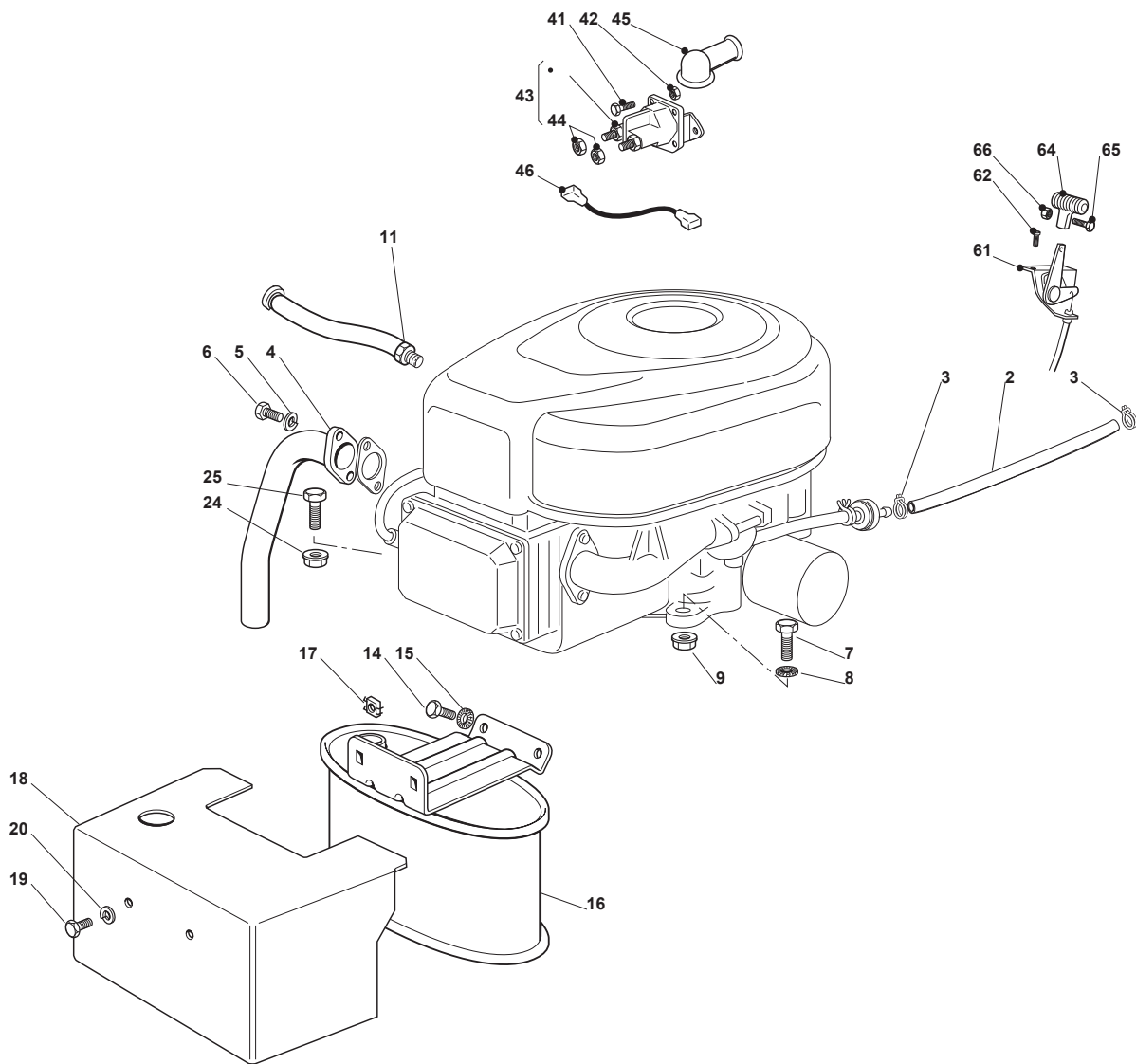
| Body | | | | |
|-------------|-------------|-------------|-------------------------|--------------|
| POS | CODE | Q.TY | DESCRIPTION | NOTES |
| 1 | 325076871/0 | 1 | Upper Engine Hood, Red | |
| 2 | 382394620/0 | 1 | Hood, Right | |
| 3 | 382394621/0 | 1 | Hood, Left | |
| 6 | 382394628/0 | 1 | Hood, Front | |
| 7 | 325410881/0 | 1 | Right Grill | |
| 8 | 325410882/0 | 1 | Left Grill | |
| 9 | 325076877/0 | 1 | Lower Red Hood, Front | |
| 10 | 325108031/0 | 1 | Conveyor | |
| 11 | 112735403/0 | 6 | Screw | |
| 15 | 325774301/2 | 1 | Engine Hood Support | |
| 16 | 112735403/0 | 5 | Screw | |
| 17 | 125510079/1 | 2 | Pin | |
| 18 | 112293201/0 | 2 | Nut | |
| 19 | 124487998/0 | 2 | Cotter Pin | |
| 24 | 325547159/1 | 2 | Plate | |
| 25 | 112731580/0 | 4 | Screw | |
| 26 | 382869027/0 | 1 | Muffler Protection | |
| 27 | 118737860/0 | 2 | Cap | |
| 28 | 112734995/0 | 4 | Screw | |
| 31 | 325599012/0 | 1 | Right Dashboard Support | |
| 32 | 325599013/0 | 1 | Left Dashboard Support | |
| 33 | 112815221/0 | 4 | Screw | |
| 34 | 112521330/0 | 4 | Washer | |
| 35 | 112154510/0 | 4 | Nut | |
| 36 | 325120188/2 | 1 | Dashboard | |
| 37 | 112728440/0 | 2 | Screw | |
| 38 | 112735402/0 | 2 | Screw | |
| 39 | 125260000/0 | 2 | Grommet | |
| 40 | 325600074/0 | 1 | Card Protection | |
| 41 | 112735402/0 | 2 | Screw | |
| 91 | 325110363/0 | 1 | Cover, Red | |
| 93 | 125580020/2 | 2 | Pin | |
| 94 | 325110322/0 | 1 | Red Wheels Cover | |
| 95 | 112735402/0 | 4 | Screw | |
| 96 | 112735402/0 | 2 | Screw | |
| 97 | 325755041/0 | 2 | Bracket | |
| 98 | 112728686/0 | 4 | Screw | |
| 99 | 112735110/0 | 2 | Screw | |



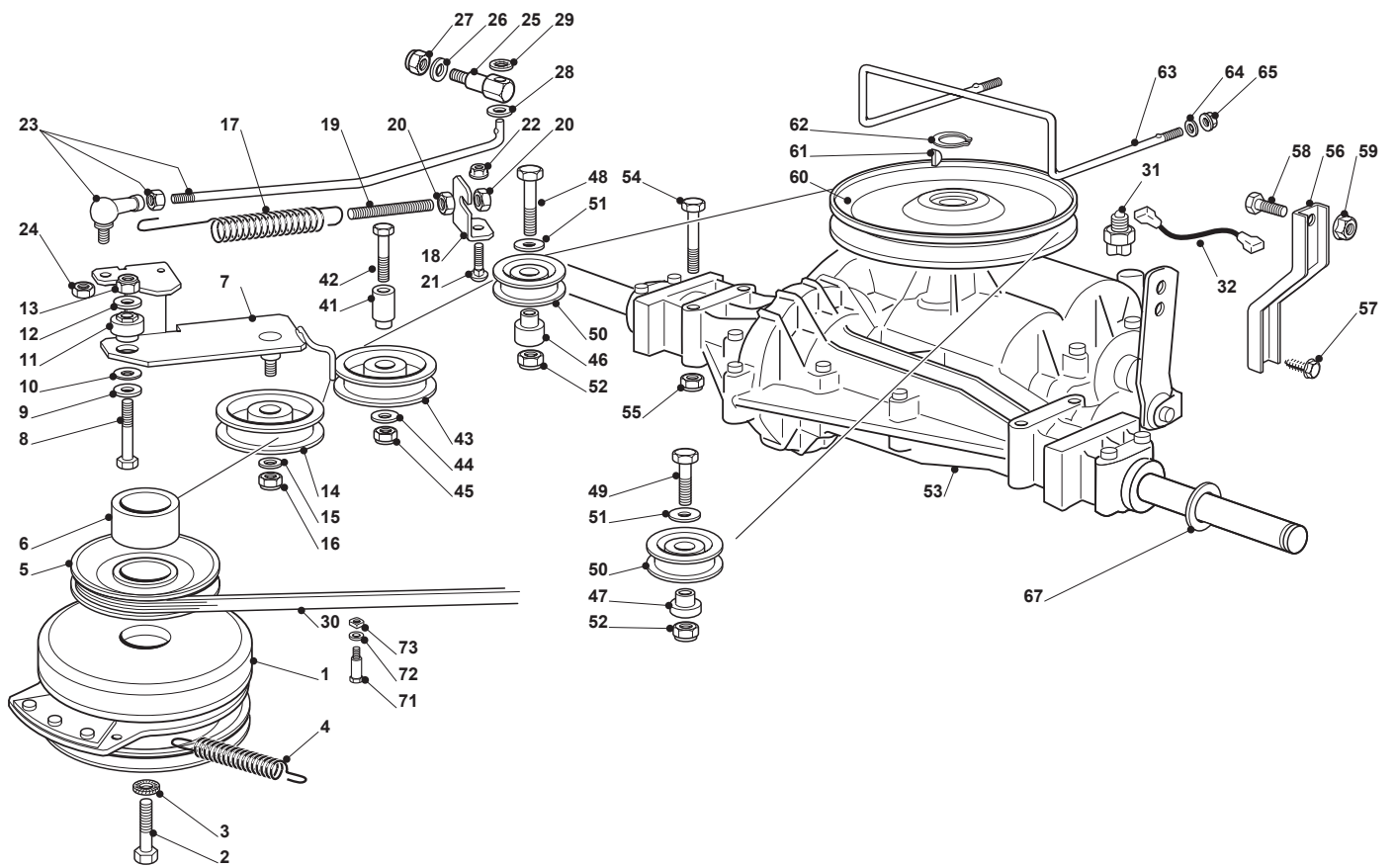
| Steering 15" | | | | |
|---------------------|-------------|-------------|------------------------------------|--------------|
| POS | CODE | Q.TY | DESCRIPTION | NOTES |
| 1 | 325038004/0 | 1 | Bush | |
| 2 | 125520006/1 | 1 | Steering Column | |
| 3 | 127570050/0 | 1 | Pinion | |
| 4 | 112622650/0 | 1 | Pin | |
| 5 | 325743000/0 | 1 | Joint Tc/Junior | |
| 6 | 112521370/0 | 1 | Washer | |
| 7 | 112436030/0 | 1 | Plate | |
| 8 | 325785213/1 | 1 | Support | |
| 9 | 112729601/1 | 2 | Screw | |
| 12 | 112379511/0 | 1 | Grease Dispenser | |
| 13 | 325040624/0 | 2 | Bushing | |
| 16 | 125510092/0 | 1 | Pin | |
| 17 | 125670019/0 | 1 | Washer | |
| 18 | 325735513/0 | 1 | Steering Shaft | |
| 19 | 112523080/0 | 1 | Washer | |
| 20 | 112155020/0 | 1 | Self-Locking Nut | |
| 21 | 325318205/0 | 1 | Lever | |
| 22 | 112523080/0 | 1 | Washer | |
| 23 | 112794985/0 | 1 | Screw | |
| 24 | 325743000/0 | 1 | Joint Tc/Junior | |
| 25 | 325785213/1 | 1 | Support | |
| 26 | 112791213/1 | 2 | Screw | |
| 27 | 112521330/0 | 2 | Washer | |
| 28 | 112154510/0 | 2 | Nut | |
| 29 | 382000539/1 | 1 | Steering Rod | |
| 30 | 112523070/0 | 2 | Washer | |
| 31 | 112155010/0 | 2 | Self-Locking Nut | |
| 41 | 382034024/1 | 1 | Equalizer With Bush And Lubricator | |
| 42 | 125034002/1 | 4 | Bush | |
| 43 | 112379511/0 | 2 | Grease Dispenser | |
| 44 | 125160016/0 | 1 | Equalizer Spacer | |
| 45 | 112692695/0 | 1 | Screw | |
| 46 | 112523100/0 | 2 | Washer | |
| 47 | 112587100/0 | 1 | Grower | |
| 48 | 112295300/0 | 1 | Hexagonal Nut | |
| 49 | 382230363/0 | 1 | Right Stub Axle | |
| 50 | 382230365/0 | 1 | Left Stub Axle | |
| 51 | 112001000/0 | 2 | Benzing Ring | |
| 52 | 325743000/0 | 1 | Joint Tc/Junior | |
| 53 | 325785213/1 | 1 | Support | |
| 54 | 112791213/1 | 2 | Screw | |
| 55 | 112521330/0 | 2 | Washer | |
| 56 | 112154510/0 | 2 | Nut | |
| 57 | 125840023/0 | 1 | Tie Rod | |
| 58 | 122746609/0 | 2 | Joint | |
| 59 | 112156602/0 | 2 | Nut | |
| 60 | 112295201/0 | 2 | Nut | |



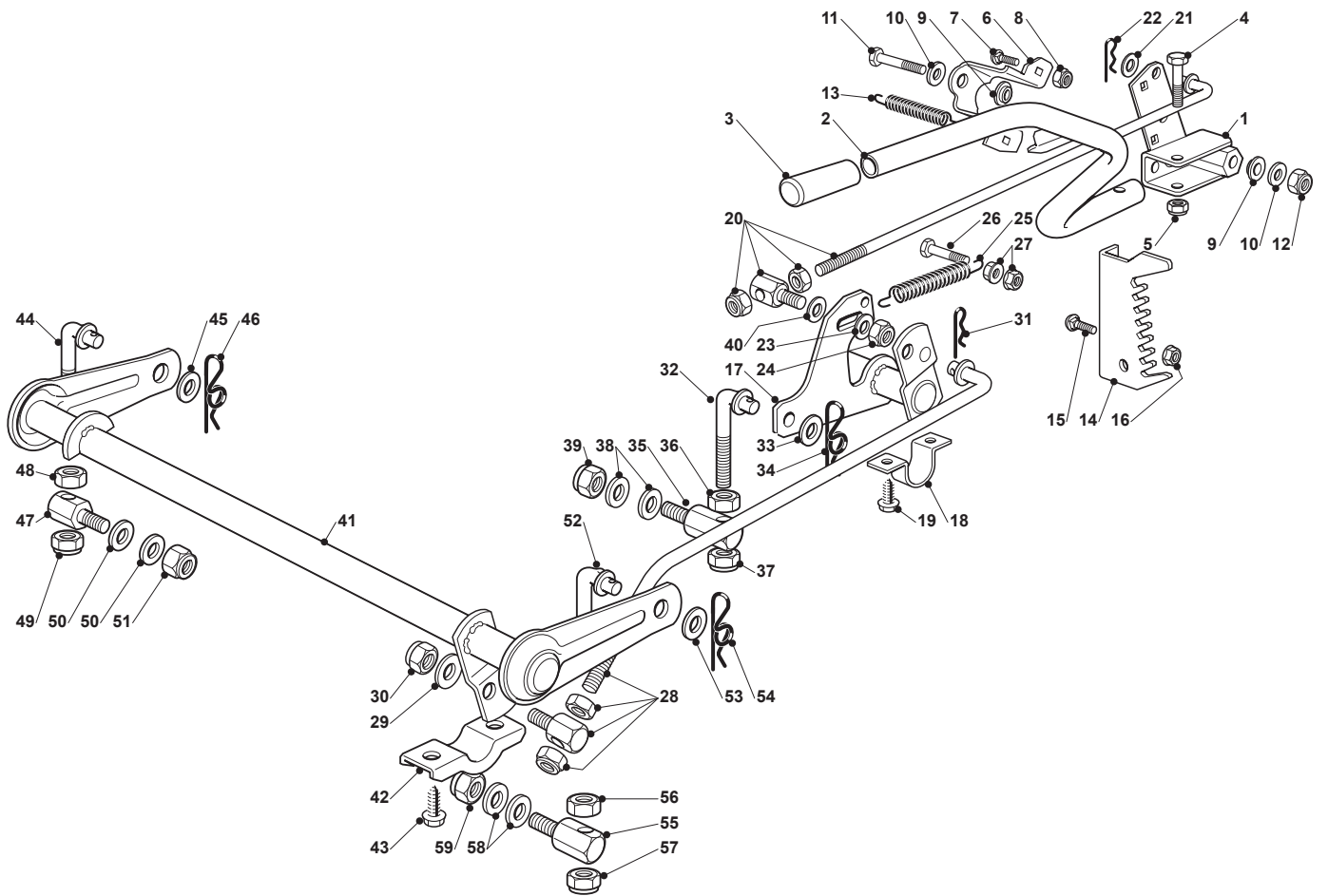
| Brake And Gearbox Controls | | | | |
|-----------------------------------|-------------|-------------|---------------------|--------------|
| POS | CODE | Q.TY | DESCRIPTION | NOTES |
| 1 | 382500027/1 | 1 | Pedal | |
| 2 | 125110269/0 | 1 | Clamp Cover | |
| 3 | 327546015/1 | 2 | Plate | |
| 4 | 112729601/1 | 4 | Screw | |
| 5 | 382000540/1 | 1 | Rod | |
| 6 | 112523040/0 | 1 | Washer | |
| 7 | 112154510/0 | 1 | Nut | |
| 8 | 112521350/0 | 1 | Washer | |
| 9 | 112436050/0 | 1 | Plate | |
| 10 | 325785261/0 | 1 | Support | |
| 11 | 112815200/0 | 2 | Screw | |
| 12 | 112292102/0 | 2 | Nut | |
| 13 | 382000531/0 | 1 | Rod | |
| 14 | 122524970/2 | 1 | Fulcrum Pin | |
| 15 | 112155000/0 | 1 | Nut | |
| 16 | 125430213/0 | 1 | Spring | |
| 17 | 325207172/0 | 1 | Plate | |
| 31 | 125510035/0 | 1 | Pin | |
| 32 | 382774247/0 | 1 | Clamp | |
| 33 | 322672152/0 | 1 | Antifriction Washer | |
| 34 | 112523060/0 | 1 | Washer | |
| 35 | 112155010/0 | 2 | Self-Locking Nut | |
| 36 | 382318215/0 | 1 | Gearshift | |
| 37 | 125394510/0 | 1 | Knob | |
| 38 | 125430258/0 | 1 | Spring | |
| 39 | 112692050/0 | 1 | Screw | |
| 40 | 112155000/0 | 1 | Nut | |
| 41 | 125033012/0 | 1 | Rod | |
| 42 | 122746601/0 | 1 | Joint | |
| 43 | 112155000/0 | 1 | Nut | |
| 44 | 325318128/1 | 1 | Lever | |
| 45 | 112521340/0 | 1 | Washer | |
| 46 | 124487997/0 | 1 | Cotter Pin | |
| 47 | 112735520/0 | 1 | Screw | |
| 48 | 112540040/0 | 1 | Washer | |
| 49 | 112154510/0 | 1 | Nut | |
| 50 | 114361447/0 | 1 | Label | |
| 51 | 112293200/0 | 1 | Hexagonal Nut | |



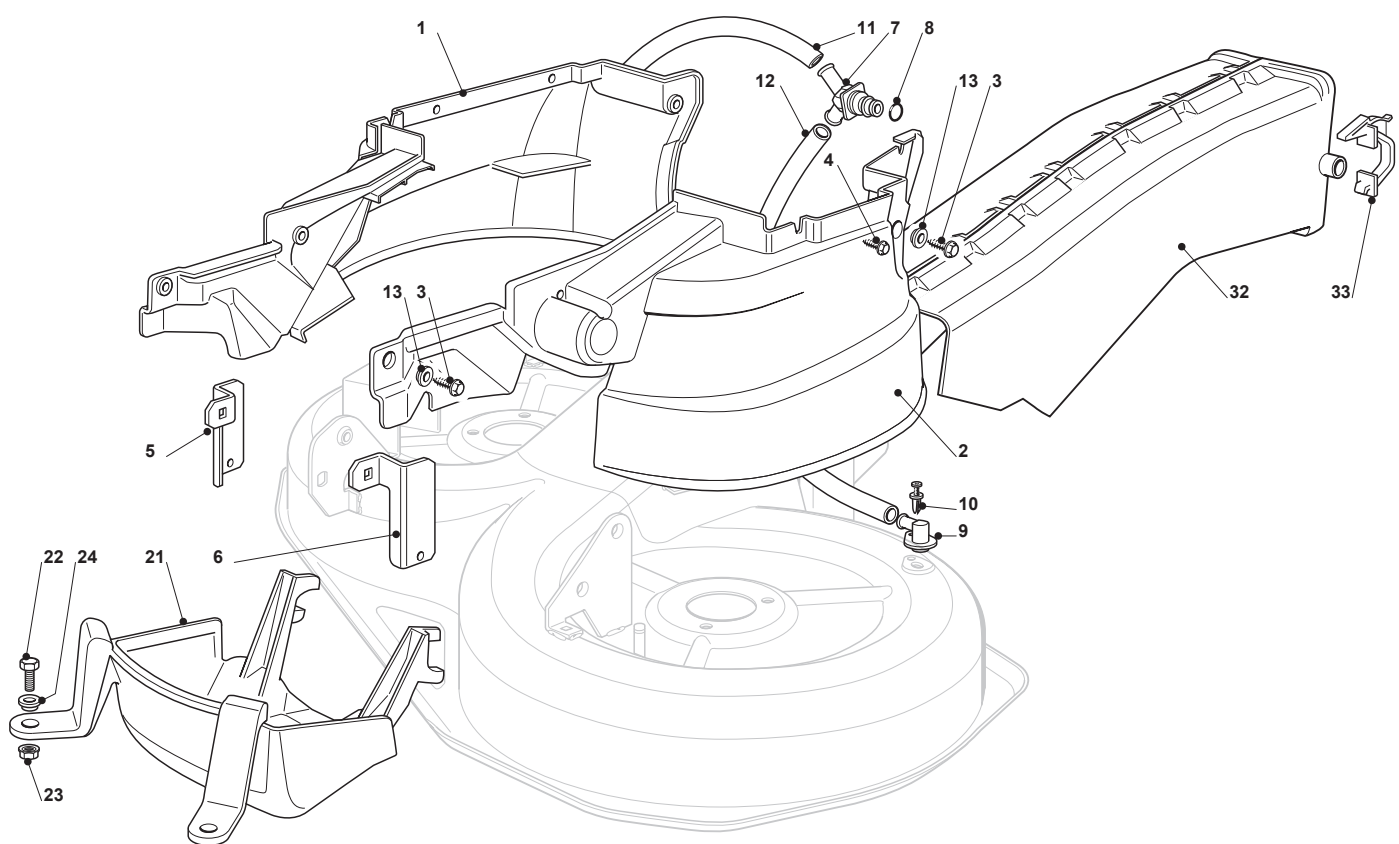
| Engine B&S 16,5 HP | | | | |
|--------------------|--------------|------|-------------------------|-------|
| POS | CODE | Q.TY | DESCRIPTION | NOTES |
| 2 | 325869057/0 | 1 | Connecting Tube | |
| 3 | 118375051/1 | 2 | Fair Led | |
| 4 | 118738206/0 | 1 | Discharged Connect.Tube | |
| 5 | 112583500/0 | 2 | Grower | |
| 6 | 112735530/0 | 2 | Screw | |
| 7 | 112691115/0 | 1 | Screw | |
| 8 | 112540260/0 | 1 | Grower | |
| 9 | 112154210/0 | 1 | Self-Locking Nut | |
| 11 | 1134-5827-01 | 1 | Oil Drain Assy | |
| 14 | 112793102/0 | 2 | Screw | |
| 15 | 112540260/0 | 2 | Grower | |
| 16 | 182750010/0 | 1 | Muffler | |
| 17 | 112360425/0 | 2 | Nut | |
| 18 | 382598009/2 | 1 | Muffler Protection | |
| 19 | 112792611/0 | 2 | Screw | |
| 20 | 112583500/0 | 2 | Grower | |
| 24 | 112154210/0 | 3 | Self-Locking Nut | |
| 25 | 112691100/0 | 3 | Screw | |
| 41 | 112791213/1 | 2 | Screw | |
| 42 | 112292102/0 | 2 | Nut | |
| 43 | 118736110/0 | 1 | Starter Relay | |
| 44 | 112360352/0 | 2 | Nut | |
| 45 | 118564861/1 | 1 | Protection | |
| 46 | 125065017/0 | 1 | Cable | |
| 61 | 182000200/1 | 1 | Throttle Cable | |
| 62 | 125943012/0 | 2 | Screw | |
| 64 | 325592000/0 | 1 | Knob | |
| 65 | 112726388/0 | 1 | Screw | |
| 66 | 112290800/0 | 1 | Hexagonal Nut | |



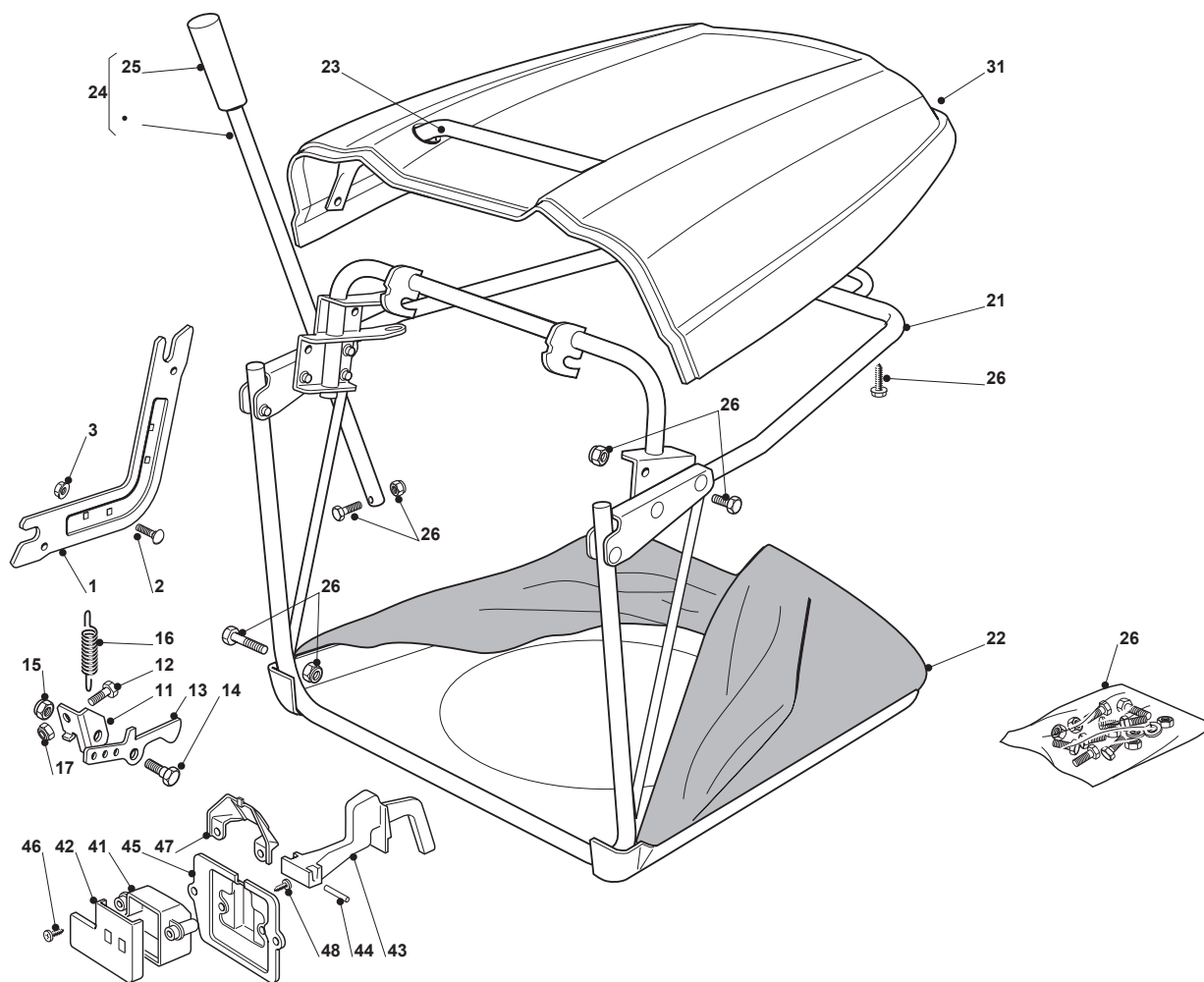
| Transmission | | | | |
|--------------|-------------|------|---------------------|-------|
| POS | CODE | Q.TY | DESCRIPTION | NOTES |
| 1 | 118399061/0 | 1 | Clutch | |
| 2 | 112737320/0 | 1 | Screw | |
| 3 | 112543000/0 | 1 | Washer | |
| 4 | 122430216/0 | 1 | Tension Spring | |
| 5 | 125601567/0 | 1 | Pulley | |
| 6 | 125160021/0 | 1 | Spacer | |
| 7 | 382318217/0 | 1 | Lever | |
| 8 | 112691115/0 | 1 | Screw | |
| 9 | 112523060/0 | 1 | Washer | |
| 10 | 327670055/0 | 1 | Antifriction Washer | |
| 11 | 125510087/0 | 1 | Pin | |
| 12 | 112523060/0 | 1 | Washer | |
| 13 | 112155000/0 | 1 | Nut | |
| 14 | 125601554/0 | 1 | Pulley | |
| 15 | 112523060/0 | 1 | Washer | |
| 16 | 112155000/0 | 1 | Nut | |
| 17 | 125430260/0 | 1 | Spring | |
| 18 | 325755049/0 | 1 | Bracket | |
| 19 | 125840005/0 | 1 | Tie Rod | |
| 20 | 112293200/0 | 2 | Hexagonal Nut | |
| 21 | 112818690/0 | 1 | Screw | |
| 22 | 112293201/0 | 1 | Nut | |
| 23 | 382820013/0 | 1 | Tie Rod Ass.Y | |
| 24 | 112155000/0 | 1 | Nut | |
| 25 | 125510063/0 | 1 | Pin | |
| 26 | 325670011/0 | 2 | Antifriction Washer | |
| 27 | 112155000/0 | 1 | Nut | |
| 28 | 112521350/0 | 1 | Washer | |
| 29 | 112604899/0 | 1 | Crown Fastener | |
| 30 | 135062012/0 | 1 | Belt | |
| 31 | 119410608/1 | 1 | Neutral Switch | |
| 32 | 125065026/0 | 1 | Cable | |
| 41 | 125510100/0 | 1 | Pin | |
| 42 | 112691800/0 | 1 | Screw | |
| 43 | 125601555/0 | 1 | Pulley | |
| 44 | 112523060/0 | 1 | Washer | |
| 45 | 112155000/0 | 1 | Nut | |
| 46 | 125160014/0 | 1 | Spacer | |
| 47 | 125160018/1 | 1 | Left Spacer | |
| 48 | 112691200/0 | 1 | Screw | |
| 49 | 112691100/0 | 1 | Screw | |
| 50 | 125601588/0 | 2 | Pulley | |
| 51 | 122671653/0 | 2 | Washer | |
| 52 | 112155000/0 | 2 | Nut | |
| 53 | 118400910/2 | 1 | Transmission | |
| 54 | 112691800/0 | 4 | Screw | |
| 55 | 112154210/0 | 4 | Self-Locking Nut | |
| 56 | 325774247/0 | 2 | Bracket | |
| 57 | 112735150/0 | 2 | Screw | |
| 58 | 112792611/0 | 2 | Screw | |
| 59 | 112293201/0 | 2 | Nut | |
| 60 | 182601509/0 | 1 | Pulley | |
| 61 | 112139430/0 | 1 | Key | |
| 62 | 112608950/0 | 1 | Seeger | |
| 63 | 125270321/0 | 1 | Belt Guide | |
| 64 | 112523040/0 | 2 | Washer | |
| 65 | 112292102/0 | 2 | Nut | |
| 67 | 112521410/0 | 24 | Washer | |
| 71 | 125580030/0 | 2 | Belt Guide | |
| 72 | 112523060/0 | 2 | Washer | |
| 73 | 112360425/0 | 2 | Nut | |



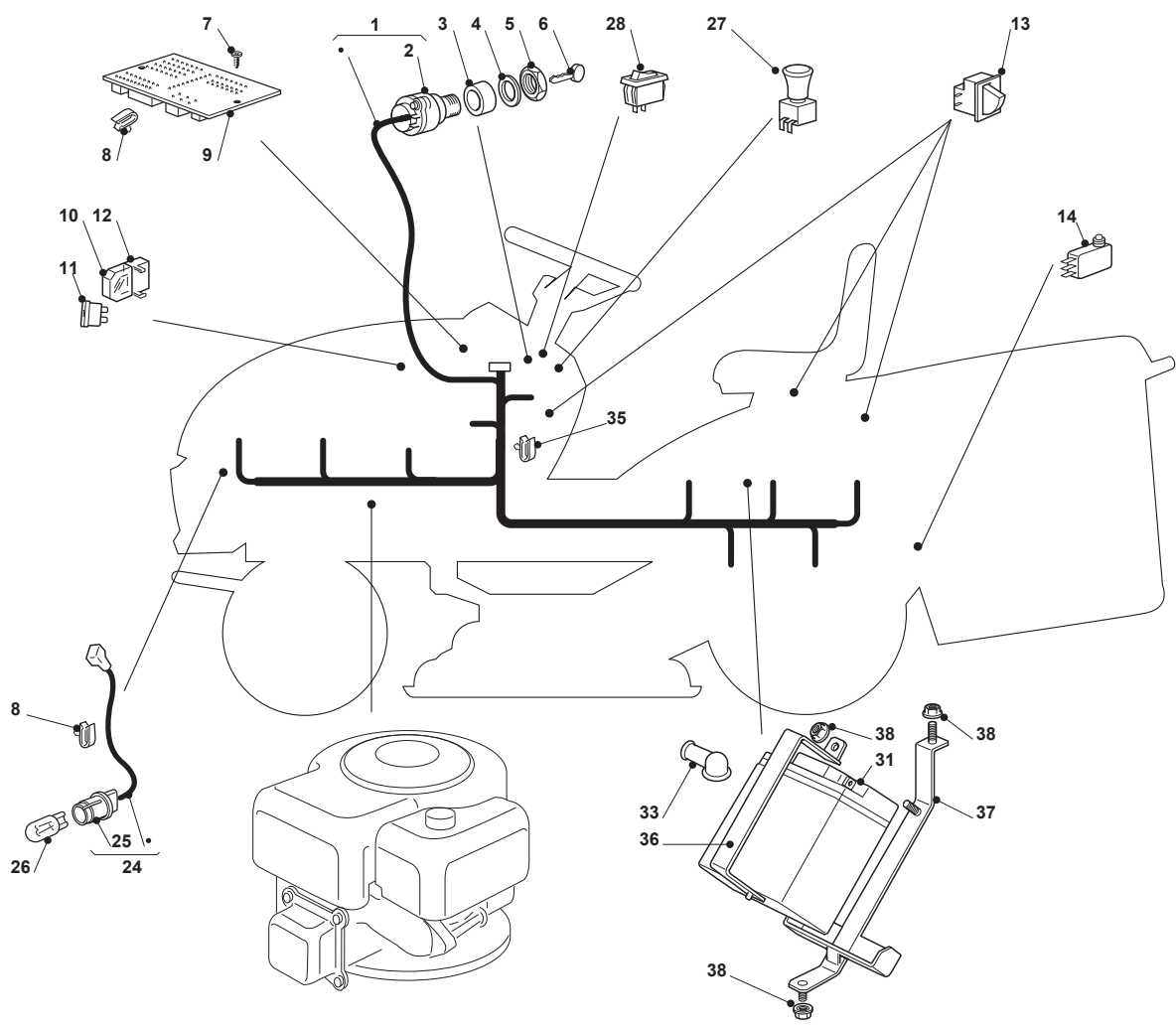
| Cutting Plate Lifting | | | | |
|-----------------------|-------------|------|---------------------|-------|
| POS | CODE | Q.TY | DESCRIPTION | NOTES |
| 1 | 382774249/0 | 1 | Clamp | |
| 2 | 382318219/1 | 1 | Lever | |
| 3 | 325394535/0 | 1 | Knob | |
| 4 | 112674700/0 | 1 | Screw | |
| 5 | 112154510/0 | 1 | Nut | |
| 6 | 325650113/0 | 1 | Plate | |
| 7 | 112818690/0 | 2 | Screw | |
| 8 | 112155000/0 | 2 | Nut | |
| 9 | 122041980/0 | 2 | Bush | |
| 10 | 112523060/0 | 2 | Washer | |
| 11 | 112691600/0 | 1 | Screw | |
| 12 | 112155000/0 | 1 | Nut | |
| 13 | 125430259/0 | 1 | Spring | |
| 14 | 325735511/0 | 1 | Sector | |
| 15 | 112818690/0 | 2 | Screw | |
| 16 | 112293201/0 | 2 | Nut | |
| 17 | 382000387/0 | 1 | Axle | |
| 18 | 325547041/1 | 2 | Plate | |
| 19 | 112731580/0 | 4 | Screw | |
| 20 | 382000618/0 | 1 | Rod | |
| 21 | 325670011/0 | 1 | Antifriction Washer | |
| 22 | 124487998/0 | 1 | Cotter Pin | |
| 23 | 112523040/0 | 1 | Washer | |
| 24 | 112154210/0 | 1 | Self-Locking Nut | |
| 25 | 122446402/1 | 1 | Spring | |
| 26 | 112792410/0 | 1 | Screw | |
| 27 | 112292102/0 | 2 | Nut | |
| 28 | 382000537/0 | 1 | Connecting Rod | |
| 29 | 325670008/1 | 2 | Washer | |
| 30 | 112156602/0 | 1 | Nut | |
| 31 | 124487998/0 | 1 | Cotter Pin | |
| 32 | 125840025/0 | 1 | Tie Rod | |
| 33 | 325670008/1 | 1 | Washer | |
| 34 | 124487998/0 | 1 | Cotter Pin | |
| 35 | 125510090/0 | 1 | Pin | |
| 36 | 112295200/0 | 1 | Hexagonal Nut | |
| 37 | 112156602/0 | 1 | Nut | |
| 38 | 325670008/1 | 2 | Washer | |
| 39 | 112156602/0 | 1 | Nut | |
| 40 | 112521360/0 | 2 | Washer | |
| 41 | 382000385/0 | 1 | Axle | |
| 42 | 327546015/1 | 2 | Plate | |
| 43 | 112731350/0 | 4 | Screw | |
| 44 | 125840024/0 | 1 | Tie Rod | |
| 45 | 325670008/1 | 1 | Washer | |
| 46 | 124487998/0 | 1 | Cotter Pin | |
| 47 | 125510098/0 | 1 | Pin | |
| 48 | 112295200/0 | 1 | Hexagonal Nut | |
| 49 | 112156602/0 | 1 | Nut | |
| 50 | 325670008/1 | 2 | Washer | |
| 51 | 112156602/0 | 1 | Nut | |
| 52 | 125840025/0 | 1 | Tie Rod | |
| 53 | 325670008/1 | 1 | Washer | |
| 54 | 124487998/0 | 1 | Cotter Pin | |
| 55 | 125510090/0 | 1 | Pin | |
| 56 | 112295200/0 | 1 | Hexagonal Nut | |
| 57 | 112156602/0 | 1 | Nut | |
| 58 | 325670008/1 | 2 | Washer | |
| 59 | 112156602/0 | 1 | Nut | |



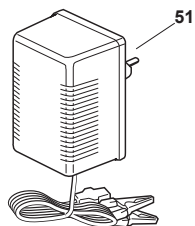
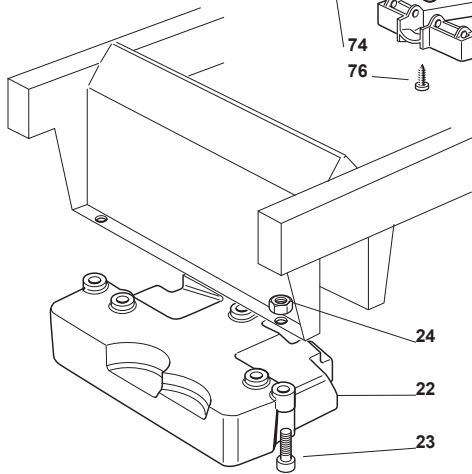
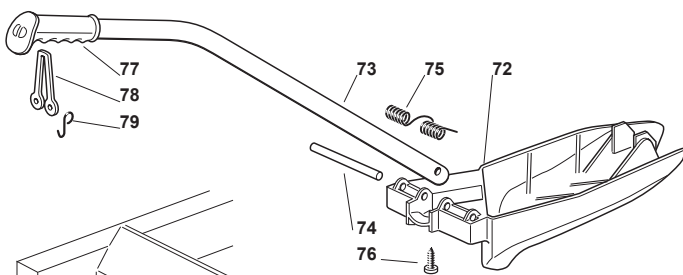
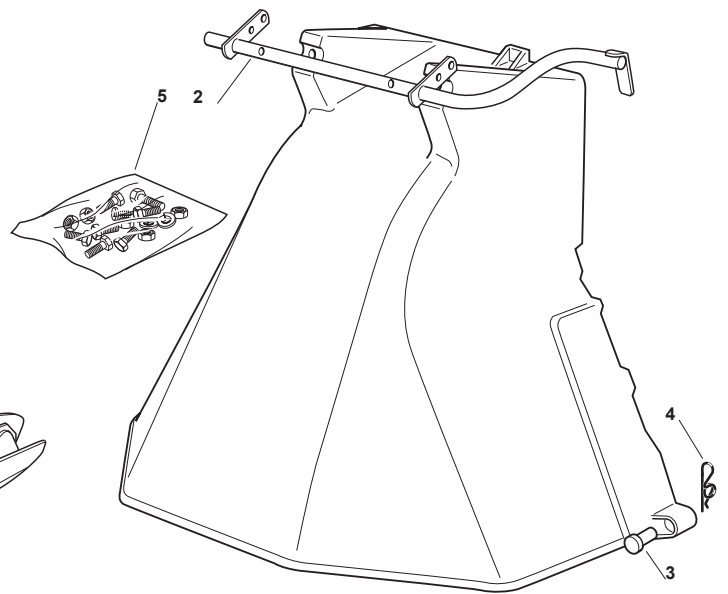
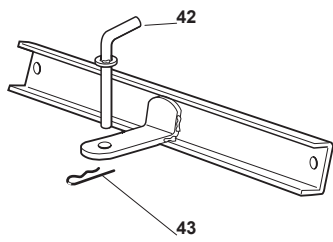
| Guards | | | | |
|---------------|-------------|-------------|-----------------------|--------------|
| POS | CODE | Q.TY | DESCRIPTION | NOTES |
| 1 | 325060121/0 | 1 | Case | |
| 2 | 325060122/0 | 1 | Case | |
| 3 | 112735122/0 | 6 | Screw | |
| 4 | 112728535/0 | 4 | Screw | |
| 5 | 325774381/0 | 1 | Bracket | |
| 6 | 325774383/0 | 1 | Bracket | |
| 7 | 325033066/0 | 1 | Water Hose Connection | |
| 8 | 119035000/0 | 1 | O.R. Ring | |
| 9 | 325033065/0 | 2 | Water Hose Connection | |
| 10 | 112500030/0 | 2 | Rivet | |
| 11 | 325869069/0 | 1 | Connecting Tube | |
| 12 | 325869068/0 | 1 | Connecting Tube | |
| 13 | 325160039/0 | 6 | Spacer | |
| 21 | 325060127/0 | 1 | Case | |
| 22 | 112791400/0 | 2 | Screw | |
| 23 | 112154510/0 | 2 | Nut | |
| 24 | 325160039/0 | 2 | Spacer | |
| 32 | 382108008/1 | 1 | Conveyor | |
| 33 | 325774373/0 | 2 | Clamp | |



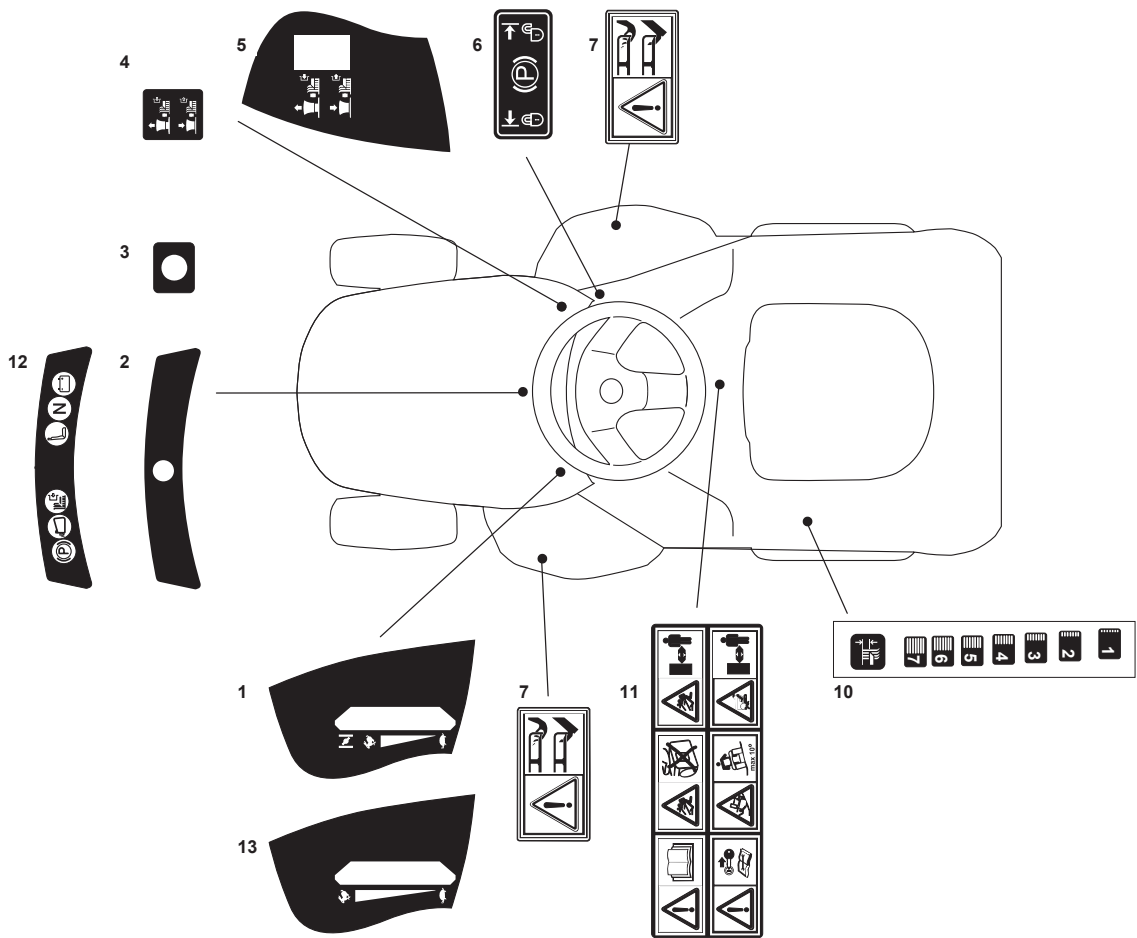
| Grasscatcher | | | | |
|--------------|-------------|------|--------------------------------|-------|
| POS | CODE | Q.TY | DESCRIPTION | NOTES |
| 1 | 325785275/0 | 2 | Support | |
| 2 | 112818690/0 | 4 | Screw | |
| 3 | 112293201/0 | 4 | Nut | |
| 11 | 325755031/1 | 1 | Bracket | |
| 12 | 112789000/0 | 1 | Screw | |
| 13 | 325774315/1 | 1 | Bracket | |
| 14 | 125510080/1 | 1 | Pin | |
| 15 | 112292102/0 | 1 | Nut | |
| 16 | 122450432/0 | 1 | Spring | |
| 17 | 112154330/0 | 1 | Low Self-Locking Nut | |
| 21 | 382800111/0 | 1 | Front Frame | |
| 22 | 182105973/0 | 1 | Grasscatcher | |
| 23 | 382394003/0 | 1 | Front Handle | |
| 24 | 382869023/0 | 1 | Rod | |
| 25 | 125394508/0 | 1 | Knob | |
| 26 | 382180048/0 | 1 | Screw | |
| 31 | 325110319/0 | 1 | Yellow Grass-Catcher Cover | |
| 41 | 125600041/0 | 1 | Micro Protection | |
| 42 | 125600042/0 | 1 | Grasscatcher Micro Prot Cover | |
| 43 | 125318124/0 | 1 | Full Grassc. Microswitch Cover | |
| 44 | 112400030/0 | 1 | Pin | |
| 45 | 325785272/0 | 1 | Micro Protection | |
| 46 | 112728510/0 | 1 | Screw | |
| 47 | 125600048/0 | 1 | Protection Cover | |
| 48 | 112735110/0 | 2 | Screw | |



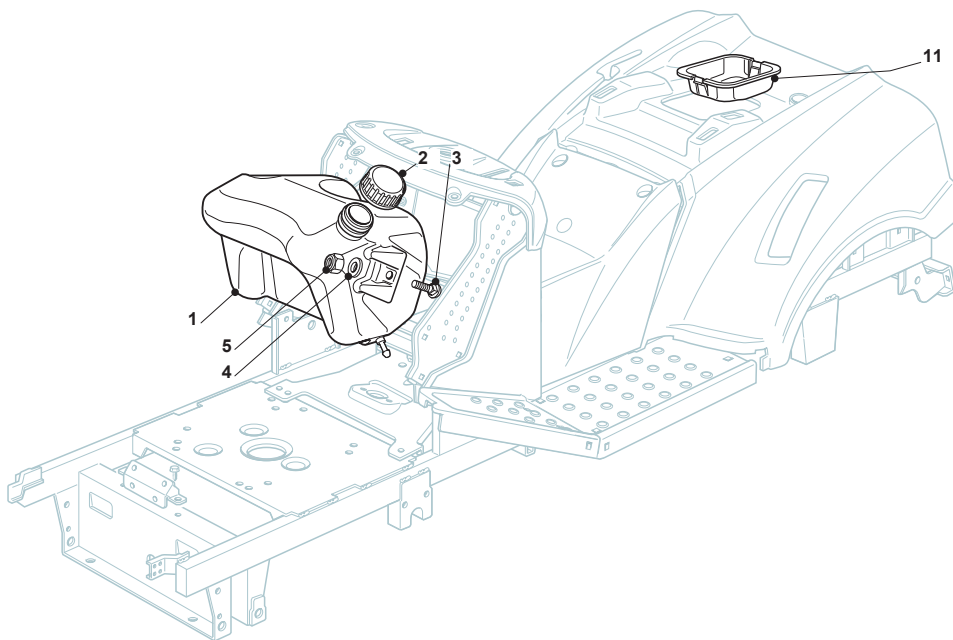
| Electric Parts | | | | |
|-----------------------|-------------|-------------|----------------------|--------------|
| POS | CODE | Q.TY | DESCRIPTION | NOTES |
| 1 | 182040153/0 | 1 | Cables Ass.Y | |
| 2 | 118450072/0 | 1 | Starting Switch | |
| 3 | 118550136/0 | 1 | Spacer | |
| 4 | 118550135/0 | 1 | Washer | |
| 5 | 118400862/0 | 1 | Ring Nut | |
| 6 | 118210022/0 | 1 | Starting Key | |
| 7 | 112727810/0 | 3 | Screw | |
| 8 | 133320506/0 | 2 | Fairlead | |
| 9 | 125722430/1 | 1 | Electronic Card | |
| 10 | 133215000/0 | 2 | Cover | |
| 11 | 133340036/0 | 1 | Fuse 25 A | |
| 11 | 133340040/0 | 1 | Lamellar Fusible 10A | |
| 12 | 133500007/0 | 2 | Fuse Carrier | |
| 13 | 119410615/0 | 3 | Micro Switch | |
| 14 | 119410605/1 | 1 | Micro Switch | |
| 24 | 182040073/0 | 1 | Lamp Holder | |
| 25 | 133500030/0 | 2 | Lamp Holder | |
| 26 | 118459100/0 | 2 | Lamp For Lights | |
| 27 | 118450068/0 | 1 | Delta Switch | |
| 28 | 118450060/1 | 1 | Headlight Interrupt. | |
| 31 | 118120002/1 | 1 | Battery | |
| 33 | 118564861/1 | 1 | Protection | |
| 35 | 133320506/0 | 9 | Fairlead | |
| 36 | 327772099/1 | 1 | Clamp | |
| 37 | 382785191/0 | 1 | Battery Support | |
| 38 | 112155000/0 | 3 | Nut | |



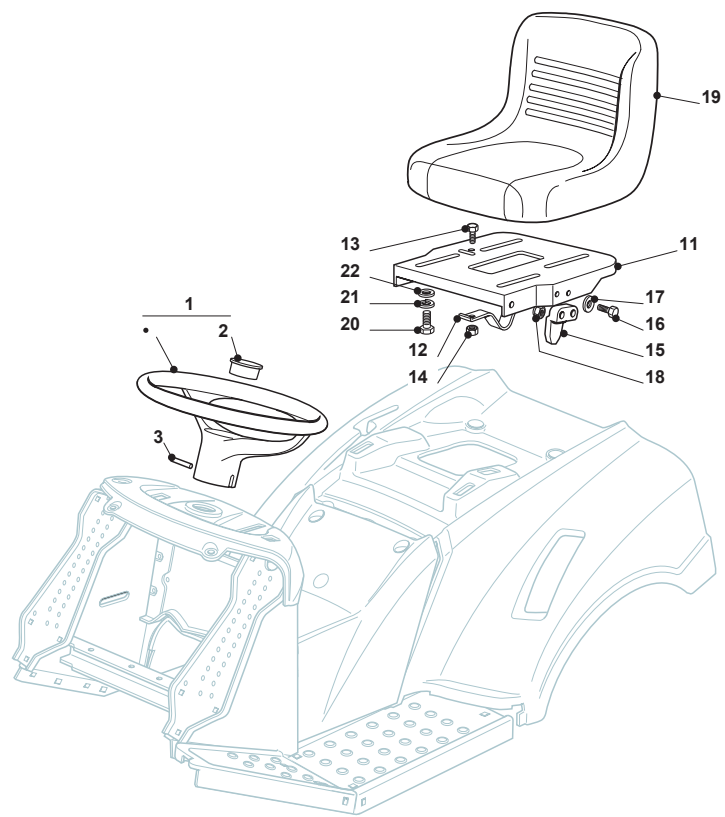
| Optionals On Request | | | | |
|----------------------|-------------|------|-----------------------|---------|
| POS | CODE | Q.TY | DESCRIPTION | NOTES |
| 2 | 382869035/0 | 1 | Support | |
| 3 | 125510022/0 | 2 | Pin | |
| 4 | 124487998/0 | 2 | Cotter Pin | |
| 5 | 382180062/0 | 1 | Screw | |
| 22 | 125519997/1 | 1 | Front Weight Tc | |
| 23 | 112760520/0 | 3 | Screw | |
| 24 | 112155000/0 | 3 | Nut | |
| 42 | 125510021/1 | 1 | Hitch Pin | |
| 43 | 124487999/0 | 1 | Spring Pin | |
| 51 | 182180050/0 | 1 | Battery Charger 0,6A | EU Plug |
| 51 | 182180052/0 | 1 | Battery Charger 0,6A | UK Plug |
| 72 | 325140093/0 | 1 | Deflector | |
| 73 | 325394007/0 | 1 | Handle | |
| 74 | 125510077/0 | 1 | Pin | |
| 75 | 125430245/0 | 1 | Spring | |
| 76 | 112735410/0 | 1 | Screw | |
| 77 | 325280000/1 | 1 | Handgrip | |
| 78 | 125840011/1 | 1 | Tie Rod | |
| 79 | 125253004/0 | 2 | Mulch.Kit Fixing Hook | |



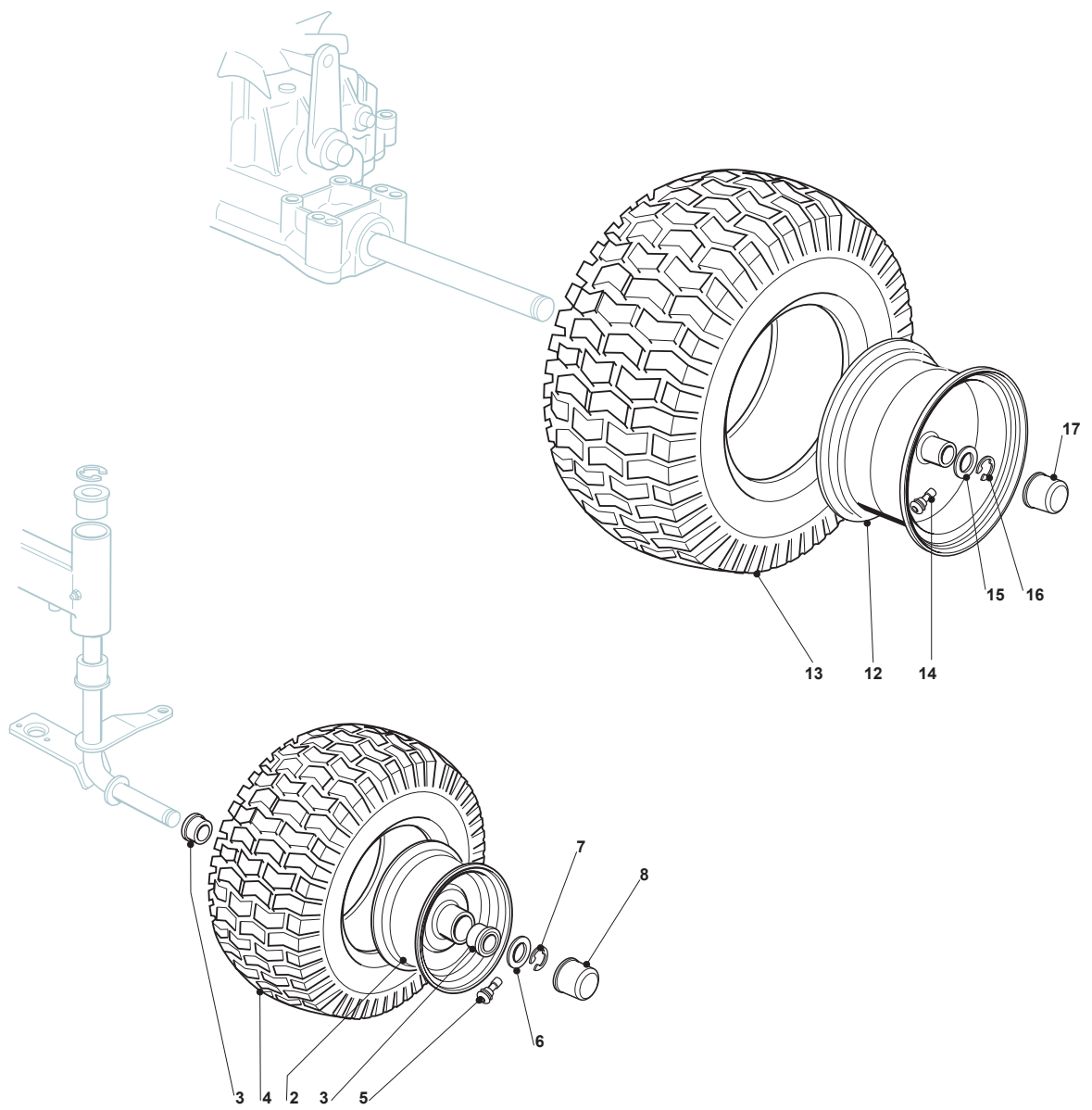
| Labels | | | | |
|---------------|-------------|-------------|--------------------|--------------------------|
| POS | CODE | Q.TY | DESCRIPTION | NOTES |
| 1 | 114361440/0 | 1 | Label | |
| 2 | 125420019/0 | 1 | Label | |
| 3 | 125420018/0 | 1 | Label | Only for NJ - NJR - NJB |
| 4 | 114361438/0 | 1 | Label | Only for NJ - NJR - NJB |
| 5 | 114361439/0 | 1 | Label | |
| 6 | 114361452/0 | 1 | Label | |
| 7 | 114356699/1 | 2 | Label | |
| 10 | 114361441/0 | 1 | Label | |
| 11 | 114361553/0 | 1 | Label | |
| 12 | 125420020/0 | 1 | Label | Only for 6 led Dashboard |
| 13 | 114364616/0 | 1 | Label | Only for HONDA Engine |



| Tank 5,5 Lt | | | | |
|-------------|-------------|------|-------------|-------|
| POS | CODE | Q.TY | DESCRIPTION | NOTES |
| 1 | 325735128/0 | 1 | Tank | |
| 2 | 125795000/1 | 1 | Fuel Cap | |
| 3 | 112815210/0 | 2 | Support | |
| 4 | 325160039/0 | 2 | Screw | |
| 5 | 112154510/0 | 2 | Grower | |
| 11 | 325207176/0 | 1 | Plate | |



| Seat & Steering Wheel | | | | |
|----------------------------------|-------------|-------------|----------------------|--------------|
| POS | CODE | Q.TY | DESCRIPTION | NOTES |
| 1 | 125961201/0 | 1 | Steering Wheel | |
| 2 | 325120230/0 | 1 | Cover | |
| 3 | 112620299/0 | 1 | Elastic Pin | |
| 11 | 325547033/1 | 1 | Seat Plate | |
| 12 | 125430223/2 | 1 | Spring | |
| 13 | 112789000/0 | 1 | Screw | |
| 14 | 112154330/0 | 1 | Low Self-Locking Nut | |
| 15 | 327063021/1 | 1 | Cam | |
| 16 | 112789100/0 | 2 | Screw | |
| 17 | 112523020/0 | 2 | Washer | |
| 18 | 112154330/0 | 2 | Low Self-Locking Nut | |
| 19 | 125722471/0 | 1 | Seat | |
| 20 | 112793101/0 | 4 | Screw | |
| 21 | 112583500/0 | 4 | Grower | |
| 22 | 112523060/0 | 4 | Washer | |



| Wheels | | | | |
|---------------|-------------|-------------|--------------------|--------------|
| POS | CODE | Q.TY | DESCRIPTION | NOTES |
| 2 | 182000598/0 | 2 | Front Wheel | |
| 3 | 125122200/2 | 4 | Rimm | |
| 4 | 127590066/0 | 2 | Bearing | |
| 5 | 125950000/0 | 2 | Shoe Deli Tire | |
| 6 | 125670005/1 | 2 | Valve | |
| 7 | 112001000/0 | 2 | Washer | |
| 8 | 122110230/0 | 2 | Benzing Ring | |
| 12 | 182000599/0 | 2 | Hub Cover | |
| 13 | 125590015/0 | 2 | Rear Wheel | |
| 14 | 125950000/0 | 2 | Rear Wheel | |
| 15 | 125670005/1 | 2 | Shoe Deli Tire | |
| 16 | 112001010/0 | 2 | Valve | |
| 17 | 122110230/0 | 2 | Washer | |